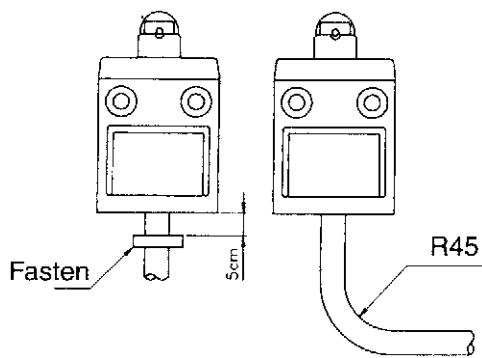


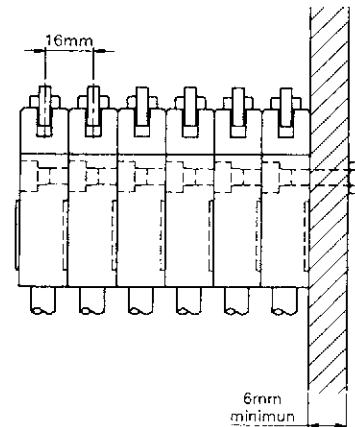
■ FASTENING OF THE SWITCH CABLE

The switch bodies are filled with resin for sealing purposes. To avoid stressing the cable and switch body, fasten the cable at 5 cm or farther away from the switch body. Should the wire be bent. The bending radius shall be at least 45 mm.



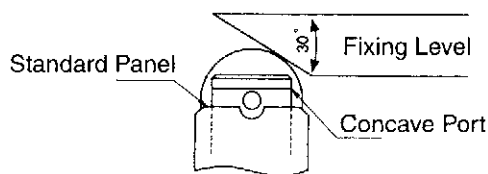
■ SWITCH BANK MOUNTING

A maximum of six switches may be mounted together as a switch bank. During the installation, the convex part of the switch back. The mounting panel shall be 6 mm or thicker.



■ INSTALLATION

The service life and accuracy of switches will be effected by the shape of actuator operation frequency & over travel. So the angular of the fixing level should be about 30° the surface finish of the fixing level should be over ▽▽▽, the hardness is from HV400~500. When installing, the position of the concave part should be above the standard panel.

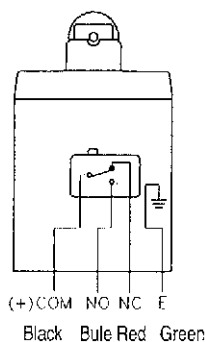


■ MOUNTING

Recommended tightening torque according to the following form.

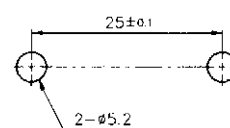
Model	Screw Type	Torque
1	M5 fastening screws	43.4 ~ 52 lb.in (50 ~ 60 kgf.cm)
2	M3.5 installing screws	6.9 ~ 7.9 lb.in (8 ~ 9 kgf.cm)

■ CONTACT TYPES



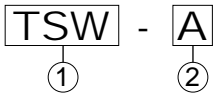
■ MOUNTING HOLES

Mount the switch body to a rigid mounting panel using two M5 screws



ลิมิตสวิตช์

MODEL DESIGNATIONS



Designation	signal	Description
1. Type	TSW	Elevator Switch
	TSW2	Decelerate Switch
2. Contact Blocks	A	1a
	B	1b

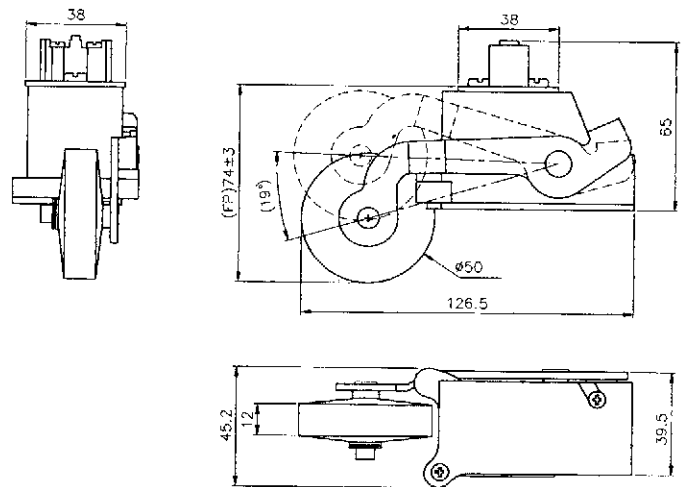
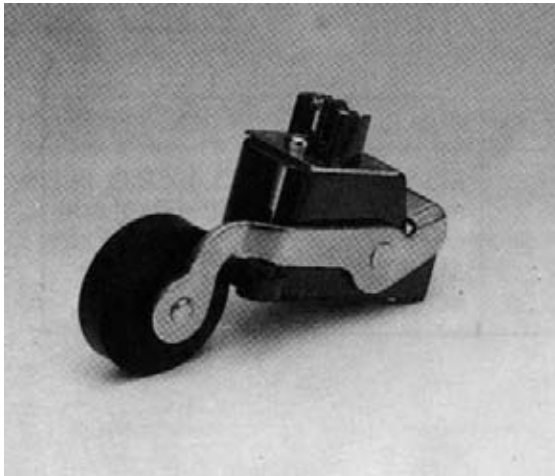
CHARACTERISTICS

Characteristic	Type	TSW	TSW2
Contact resistance		50 mΩ max	
insulation resistance		100 mΩ min. (at 500 VDC)	
Dielectric strength		2000 VAC, 50/60 Hz 1 minute	
Ambient temperature		-10°C ~ 80°C	
Ambient humidity		45% ~ 80% RH	
Operation force		1 Kgf max	300 gr. Max
Weight		Approx. 250 gr	Approx. 350 gr
Pretravel		8 mm max	45° ±5°
Overtravel		25 mm max	23° ±5°
Free position		74 ±3 mm.	

DIMENSIONS

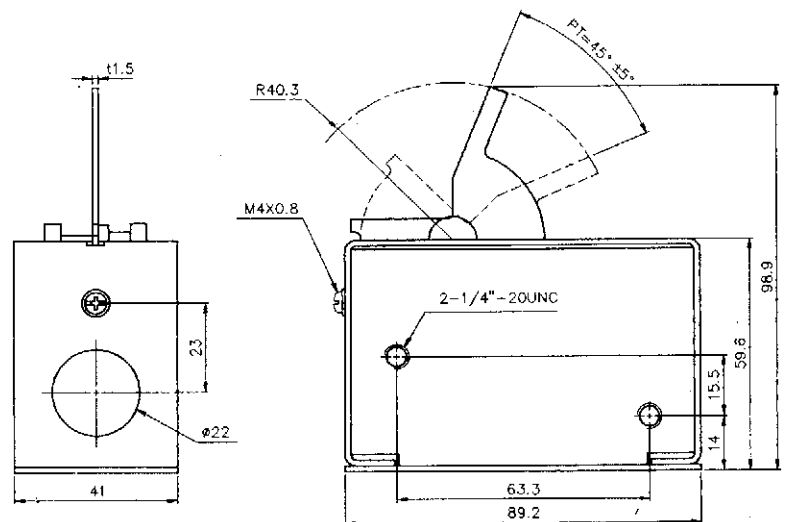
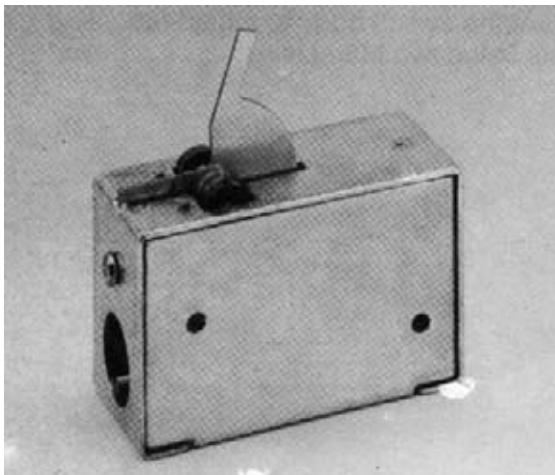
TSW (KS-E002A)

@ n/a



TSW2 (KS-E002B)

@ n/a



Economical, Miniature Limit Switch Boasting Rigid Construction

TZ-92 Series are DIN EN0047

FEATURES

- ◆ Built-in basic switch with double spring mechanism
- ◆ Long life (10,000,000 mechanical operations)
- ◆ Material : Glass reinforced plastic.
- ◆ Dustproof and drip-proof construction
- ◆ Smooth operation with greater OT
- ◆ Easy-to-wire conduit opening design

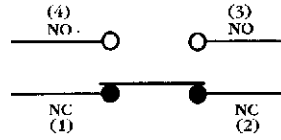
SPECIFICATIONS

RATINGS

Rated Voltage (V)	Non-inductive load (A)				Inductive load (A)			
	Resistive Load		Lamp load		Inductive load		Motor Load	
	NC	NO	NC	NO	NC	NO	NC	NO
125 VAC	5	5	1.5	0.7	3	3	2	1
250 VAC	5	5	1	0.5	3	3	1.5	0.8
8 VAC	5	5	3	3	5	4	3	3
14 VAC	5	5	3	3	4	4	3	3
30 VAC	5	5	3	3	4	4	3	3
125 VAC	0.4	0.4						
250 VAC	0.2	0.2						

NOTES : 1. Inductive load has a power factor of 0.4 min. (AC) and a time constant of 7 msec. Max. (DC)
2. Lamp load has an inrush current of 10 times the steady-state current, while motor load has an inrush current of 6 times the steady-state current.

CONTACT CONFIGURATION



CHARACTERISTICS

Operating speed	5 mm to 50 cm/s
Operating frequency	120 operations/min.
Contact resistance	25 m max. (initial)
Insulation resistance	100 m min. (at 500 VDC)
Dielectric strength	1,000 VAC, 50/60 Hz for 1 minute between non-continuous terminals 1,500 VAC, 50/60 Hz for 1 minute between current carrying and non-current carrying parts and between each terminal and ground
Vibration	10 to 55 Hz 1.5 mm double amplitude
Shock	Approx :300 m/s ² (approx. 30G's)
Ambien temperature	Operating : -5° to +60°C
Humidity	95% RH max
Service life	Mechanically : 10,000,000 operations min Electrically : 500,000 operations min.
Weight	Approx. 130 to 190 g
Degree of protection	IEC 529 class IP65

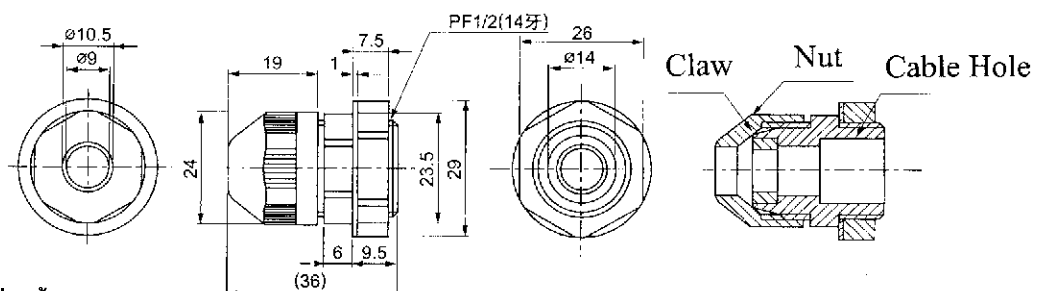
OPERATING CHARACTERISTICS

TYPE	TZ-9104	TZ-9108	TZ-9107	TZ-9111	TZ-9112 TZ-9122	TZ-9124	TZ-9166 TZ-9167 TZ-9169
	TZ-9204	TZ-9208	TZ-9207	TZ-9211	TZ-9212 TZ-9222	TZ-9244	TZ-9266 TZ-9267 TZ-9269
OF (max.)	500 g	450 g	450 g	700 g	700 g	450 g	150 g
RF (min.)	50 g	40 g	40 g	150 g	150 g	80 g	-
PT (max.)	18 ~ 28	18 ~ 28	2 mm	2 mm	2 mm	4 mm	30 mm
OT (min.)	30	30	30	4 mm	4 mm	4 mm	-
MD (max.)	14	14	14	0.8 mm	0.8 mm	1.6 mm	-
OP	-	-	-	18 ±0.5 mm	28.2 ±0.8 mm	37 ±0.8 mm	-

HPF-12 (TG-16) SERIES CABLE GLAND

Diameter of Cable \varnothing 6 ~ 10 mm.

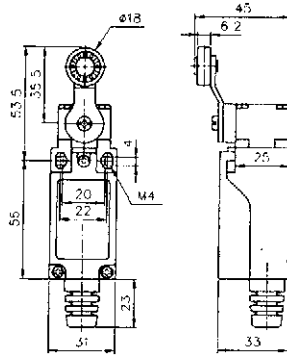
@ n/a



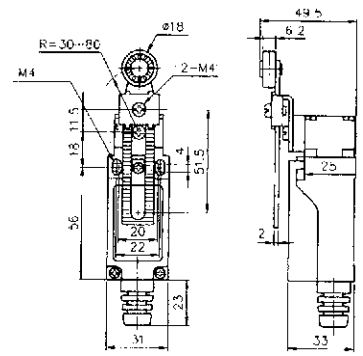
ราคานี้อาจเปลี่ยนแปลงโดยไม่ต้องแจ้งให้ทราบล่วงหน้า

ลิมิตสวิตช์

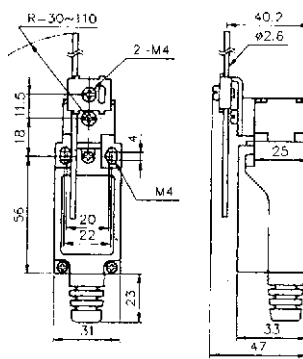
TZ-9104 @ n/a



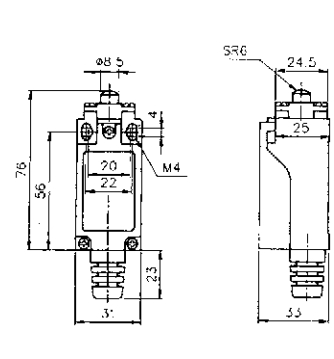
TZ-9108 @ n/a



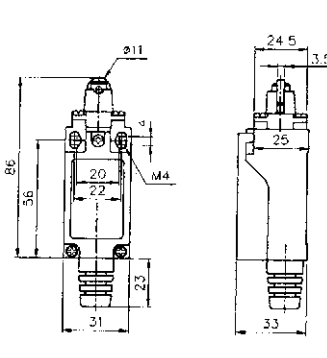
TZ-9107 @ n/a



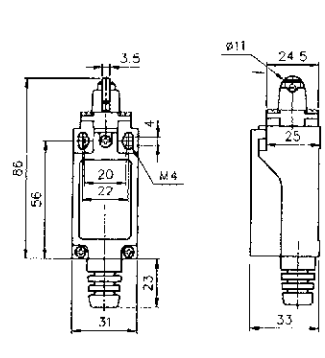
TZ-9111 @ n/a



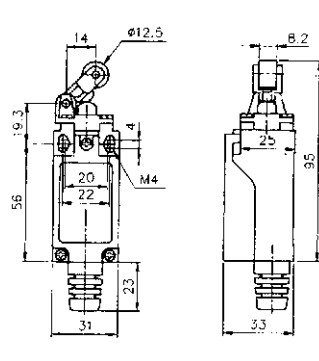
TZ-9112 @ n/a



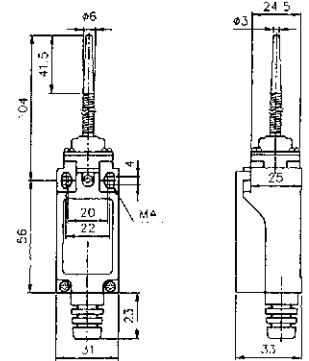
TZ-9122 @ n/a



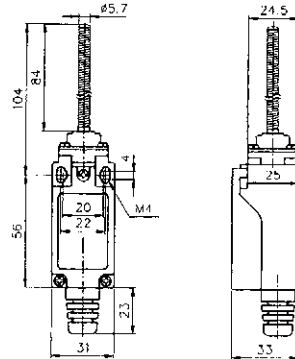
TZ-9124 @ n/a



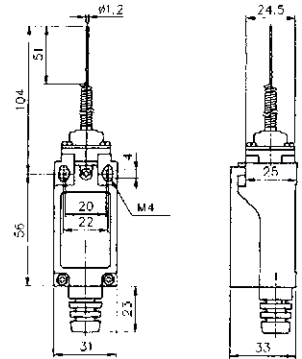
TZ-9166 @ n/a



TZ-9167 @ n/a

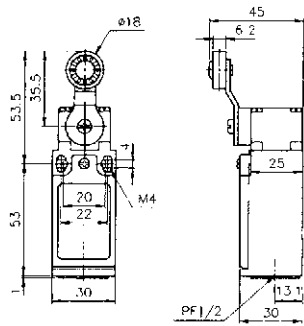


TZ-9169 @ n/a

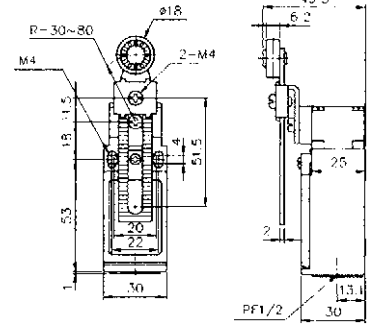


ลิมิตสวิตช์ชนิดใช้เคเบิลแกน TG16

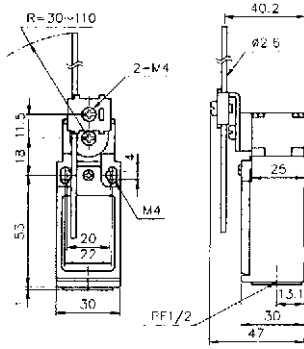
TZ-9204 @ n/a



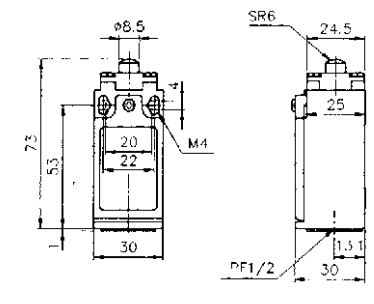
TZ-9208 @ n/a



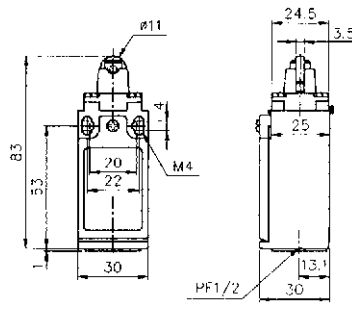
TZ-9207 @ n/a



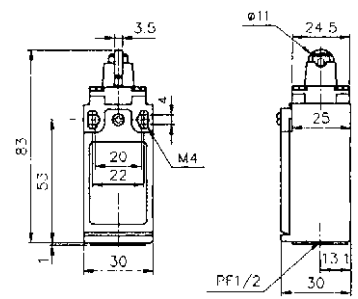
TZ-9211 @ n/a



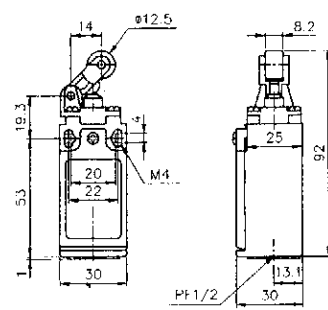
TZ-9212 @ n/a



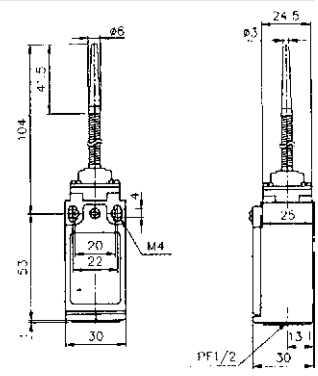
TZ-9222 @ n/a



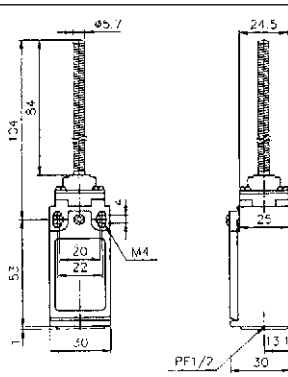
TZ-9224 @ n/a



TZ-9266 @ n/a



TZ-9267 @ n/a



TZ-9269 @ n/a

