

## Economical, High Utility Enclosed Switch

**E99688**  
**10 A 250 VAC**

### FEATURES

- ◆ High precision and long life (10,000,000 mechanical operations)
- ◆ Sealed with gasket diaphragm to provide high sealing property without use of any adhesive or pin.

### SPECIFICATIONS

#### RATINGS

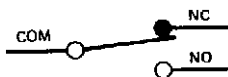
Rated Voltage (V)	Noninductive load (A)			Inductive load (A)				
	Resistive Load		Lamp load	Inductive load		Motor Load		
	NC	NO	NC	NO	NC	NO	NC	NO
125 VAC	10	3	1.5	10	5	2.5		
250 VAC	10	2.5	1.25	10	3	1.5		
480 VAC	3	1.5	0.75	2.5	1.5	0.75		
8 VAC	10	3	1.5	6	6	5		
14 VDC	10	3	1.5	6	6	5		
30 VDC	8	3	1.5	6	5	2.5		
125 VDC	0.5		0.4	0.05		0.05		
250 VDC	0.25		0.2	0.03		0.03		

NOTES : 1. Inductive load : power factor of 0.4; time constant of 7 msec.  
2. Lamp load has an inrush current of 10 times the steady-state current, while motor load has an inrush current of 6 times the steady-state current.

### CHARACTERISTICS

Operating speed	0.01 mm to 50 cm/sec (at pin plunger)
Operating frequency	120 operations/min.
Contact resistance	25 mΩ max. (initial)
Insulation resistance	100 mΩ min. (at 500 V DC)
Dielectric strength	1,000 VAC, 50/60 Hz for 1 minute between non-continuous terminals
	2,000 VAC, 50/60 Hz for 1 minute between current carrying and non-current carrying parts and between each terminal and ground
Vibration	Mechanical durability : 10 to 55 Hz 1.5 mm double amplitude
Shock	Mechanical durability : 1,000 m/sec <sup>2</sup> (approx. 100 G's)
	Malfunction durability : 300 m/sec <sup>2</sup> (approx. 30 G's)
Ambient ermperture	Operating : -10° to +80°C
Humidity	95% RH max (at +20° to +35°C)
Service life	Mechanically : 10,000,000 operations min (at rated OT Value) Electrically : 500,000 operations min.
Weight	Approx. 60 g
Degree of protection	IEC : IP65

### CONTACT CONFIGURATION



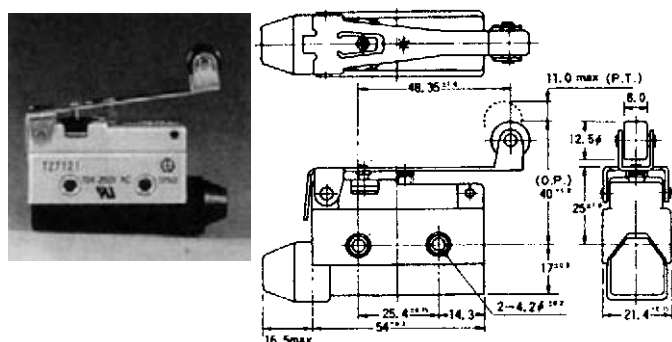
### OPERATING CHARACTERISTICS

TYPE	TZ-7100	TZ-7110	TZ-7310	TZ-7311	TZ-7312	TZ-7120	TZ-7140	TZ-7121	TZ-7141	TZ-7124	TZ-7144	TZ-7166
OF max	600 g	600 g	600 g	600 g	600 g	150 g	220 g	180 g	240 g	200 g	280 g	120 g
RF min	100 g	100 g	100 g	100 g	100 g	40 g	60 g	50 g	80 g	60 g	100 g	
PT max	2.0 mm	2.0 mm	2.0 mm	2.0 mm	2.0 mm	13.5 mm	8.5 mm	11.0 mm	6.5mm	11.0 mm	6.5mm	25mm
OT min	0.8 mm	5.0 mm	6.0 mm	6.0 mm	6.0 mm	4.0 mm	2.5 mm	3.0 mm	2.0 mm	3.0 mm	2.0 mm	11 mm
MD max	0.8 mm	0.8 mm	0.8 mm	0.8 mm	0.8 mm	3.2 mm	2.0 mm	2.4 mm	1.5 mm	2.4 mm	1.5 mm	
OP			21.8 ±1.2 mm	33.3 ±1.2 mm	25 ±1 mm	25 ±1 mm	40 ±1 mm	40 ±1 mm	50 ±1.2 mm	50 ±1.2 mm		
FP max.						35 mm	32 mm		46 mm		56 mm	

### DIMENSIONS

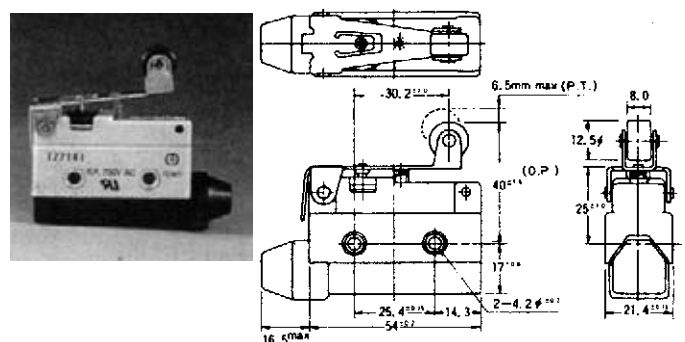
TZ-7121 (D4MC-2000)

@ n/a



TZ-7141 (D4MC-2020)

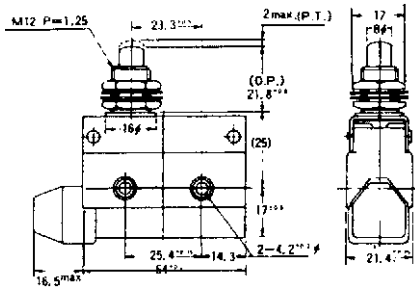
@ n/a



ราคานี้อาจเปลี่ยนแปลงโดยไม่ต้องแจ้งให้ทราบล่วงหน้า

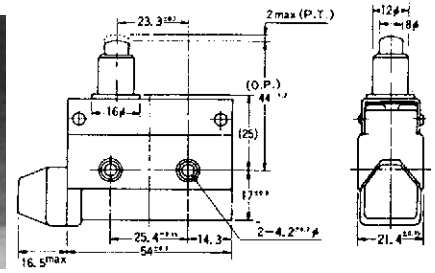
**TZ-7310 (D4MC)-5000**

@ n/a



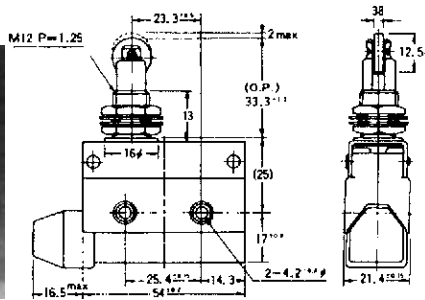
**TZ-7110**

@ n/a



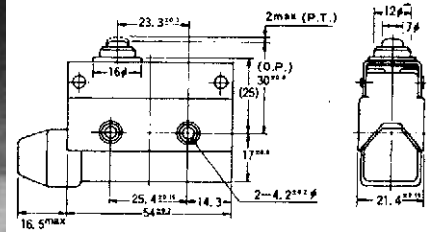
**TZ-7311 (D4MC)-5020**

@ n/a



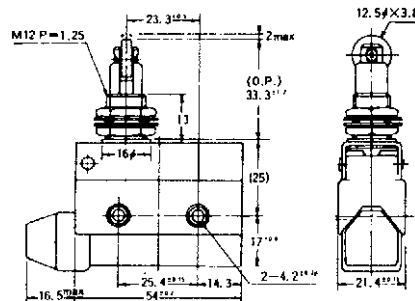
**TZ-7100**

@ n/a



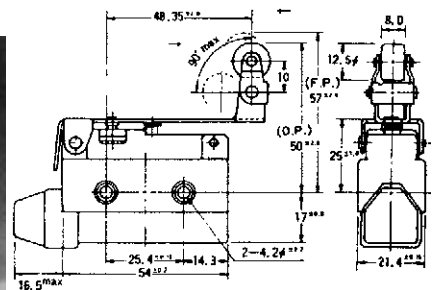
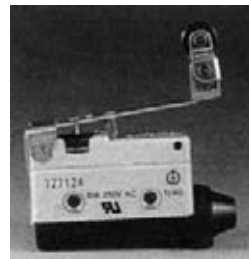
**TZ-7312 (D4MC)-5040**

@ n/a



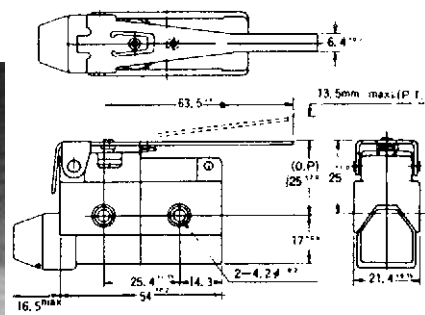
**TZ-7124**

@ n/a



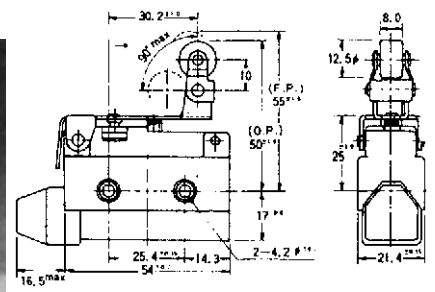
**TZ-7120 (D4MC)-1000**

@ n/a



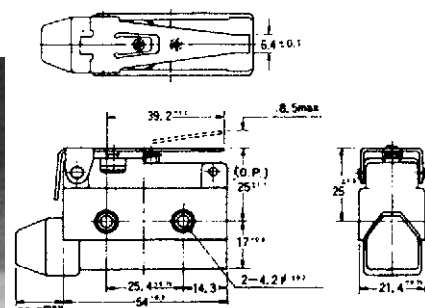
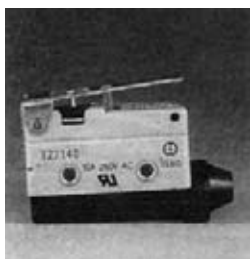
**TZ-7144 (D4MC)-3030**

@ n/a



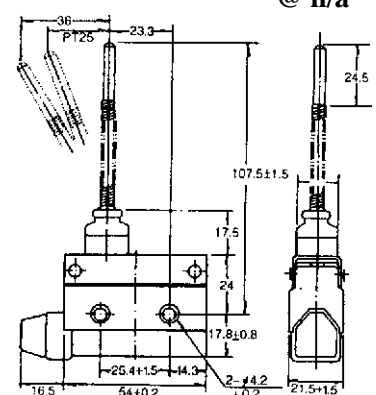
**TZ-7140 (D4MC)-1020**

@ n/a



**TZ-7166 (D4MC)-5000**

@ n/a



ราคานี้อาจเปลี่ยนแปลงโดยไม่ต้องแจ้งให้ทราบล่วงหน้า